

Elite Multifold Interfolder

Our Elite Multifold Interfolder is flexible enough to run a variety of substrates. It can be equipped with different cutoff systems, embossing units and calenders to meet specific product requirements. 2-ply products can be produced with the integration of laminating embossers. In addition to standard paper towels, our interfolders also convert air-laid materials, through-air-dried (TAD) tissue, non-wovens, aluminum foil, and other foldable substrates. Models available for web widths up to 138" (3.5 m).

Also available are the 4-panel, 5-panel and 6-panel folding heads and the Jumbo Multifold Towel Interfolder which produces multifold product sized to fit C-Fold towel dispensers. With this you can offer your customers an economical alternative to C-Fold towels.



Some photos shown without guards. Guards are provided and need to be in place before operation.

Features:

- Unmatched durability and efficiency
- Plug & Produce platform for fast installation
- High-speed production with exceptional product quality
- Sectionalized, independent electronic drive system
- Ability to run diverse substrates
- CE Compliant design



3 Panel

4 Panel

5 Panel

6 Panel



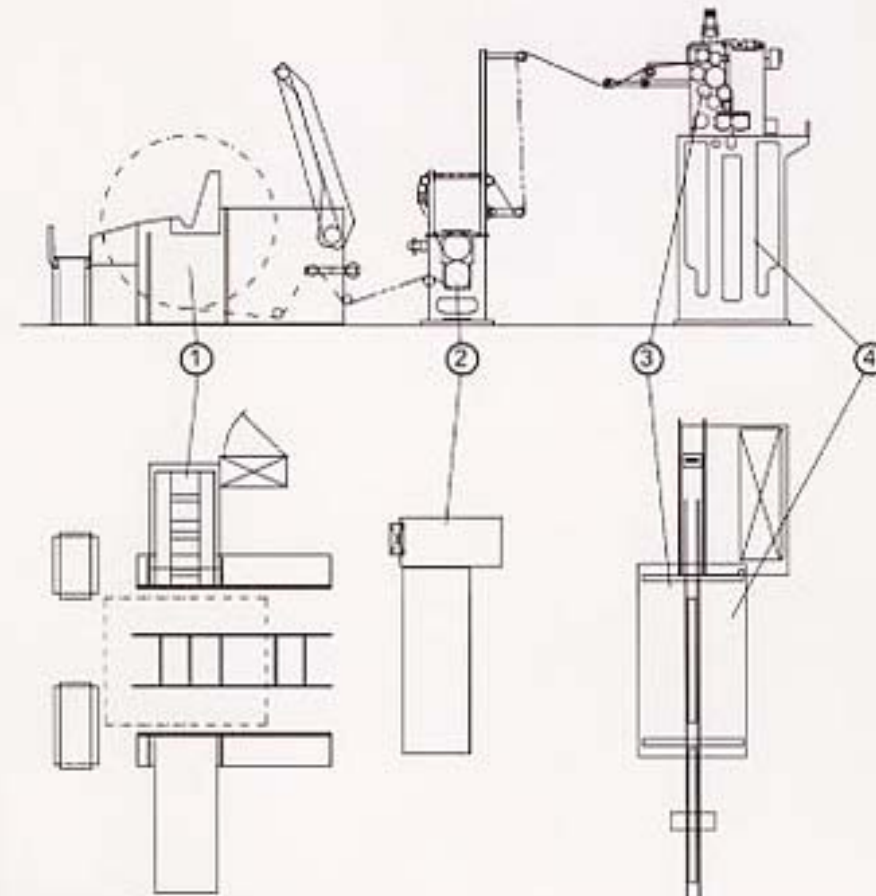
Self-Chucking Core-Ejecting Unwind Stand (Cradle Wrap)



In-Line Two-Seam Paper Bander



Orbital Log Saw



Approximate floor space required (LxW):
47 ft (14.3 m) x 33 ft (10 m)



Standard Components:

- 1. Self-Chucking Core-Ejecting Unwind Stand**
 - Core-eject system for fast roll changes
 - Automatic web tension control
- 2. Embossing**
 - Wrap-up detection
 - Steel-to-Steel
- 3. Folding Head**
 - Serrated cutoff
 - Overload protection
- 4. Automatic Separator**
 - Servo-controlled carriages allow rapid grade changes
- 5. In-Line Two-Seam Paper Bander**
 - High-speed progressive design
 - Servo-controlled sleeve delivery not sensitive to bulk changes
- 6. Orbital Log Saw**
 - Programmable cut length
 - Quick-change cantilevered blade mounting

Optional Equipment:

- Unwind Stand Configurations**
- Several floor and overhead loading styles available
 - Slit and turn stations also offered

- Embossing Unit**
- Rubber-to-Steel

- Calendering Units**
- Open nip and closed nip

- Laminators/Combining Embossing Units**
- Point-to-Point
 - Nested
 - Enclosed cavity or fountain roll glue systems

- Folding Head**
- Compliant Shear clean cutoff system

- Automatic Packaging**
- High compression paper banding
 - Interface to poly overwrapper

- Orbital Log Saw**
- Dual-lane configuration for higher output requirements

- Log Accumulators**
- Accumulation tray for small quantity
 - Serpentine design for high capacity

